

Bridges Electric™ polymer line tension disconnect

The Bridges Electric™ types SE and SEL line tension disconnects are ruggedly built, reliable devices that splice onto the line, safely supporting the conductor while providing the required insulation gap for quick and safe line maintenance.

The polymer line tension disconnect offers all of the high quality benefits of the standard types SE and SEL line-tension disconnects and is now available with a polymer insulator.

These switches feature a sturdy and well-ventilated square tubular copper blade and high-pressure silver contacts for superior current carrying characteristics. In addition to a positive latch, all switches are furnished with an exclusive opening mechanism to ease hookstick operation.

The polymer line tension disconnect is 200 kV BIL; used for 15 kV through 38 kV applications. Loadbreak hooks are standard. Many available options and accessories make the polymer line tension disconnect a flexible and low-cost solution.

Features and benefits include:

- Silicone polymer insulator (200 kV BIL)
- Lightweight design minimizes conductor loading – may be used with smaller conductors
- Rigid square tubular blade and high-pressure coin silver contacts
- Loadbreak hooks standard
- Loadbreak versions available
- Quick break versions available
- Closer arm versions available.



Figure 1: Bridges Electric polymer line tension disconnect catalog number 327PV with closer arm

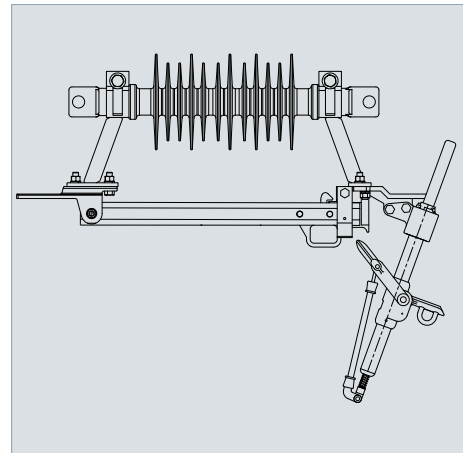


Figure 2: Bridges Electric polymer line tension disconnect model catalog number 327LP with plug-in style Saf-T-Gap interrupter

200 kV BIL, 15 kV through 38 kV ratings

Answers for energy.

SIEMENS

Catalog number	Maximum kV	kV BIL	Continuous current	Dimensions in inches (mm)					Net weight in lbs (kg) Polymer	Ultimate tensile	Tensile test
				A	B	C	D	E			
327P	15 kV to 38 kV	200	600 A	27.9 (709)	19.38 (492)	6.44 (164)	9.68 (246)	17.88 (454)	16 (7)	15,000 lbs	7,500 lbs
329P	15 kV to 38 kV	200	900 A	27.9 (709)	19.38 (492)	6.44 (164)	9.68 (246)	17.88 (454)	18 (8)	15,000 lbs	7,500 lbs

Table 1: Weights and dimensions



Figure 3: Bridges Electric polymer line tension disconnect catalog number 327P

Options and accessories available:

- Cable connectors (A)
- Plug-in Saf-T-Gap interrupter for 15 kV and 25 kV applications (L)
- Quick break (QB)
- Hot line studs (S)
- Captive hardware (C)
- Closer arm (V).

For example, 327QBV is a polymer line tension disconnect with quick break and closer arm features.

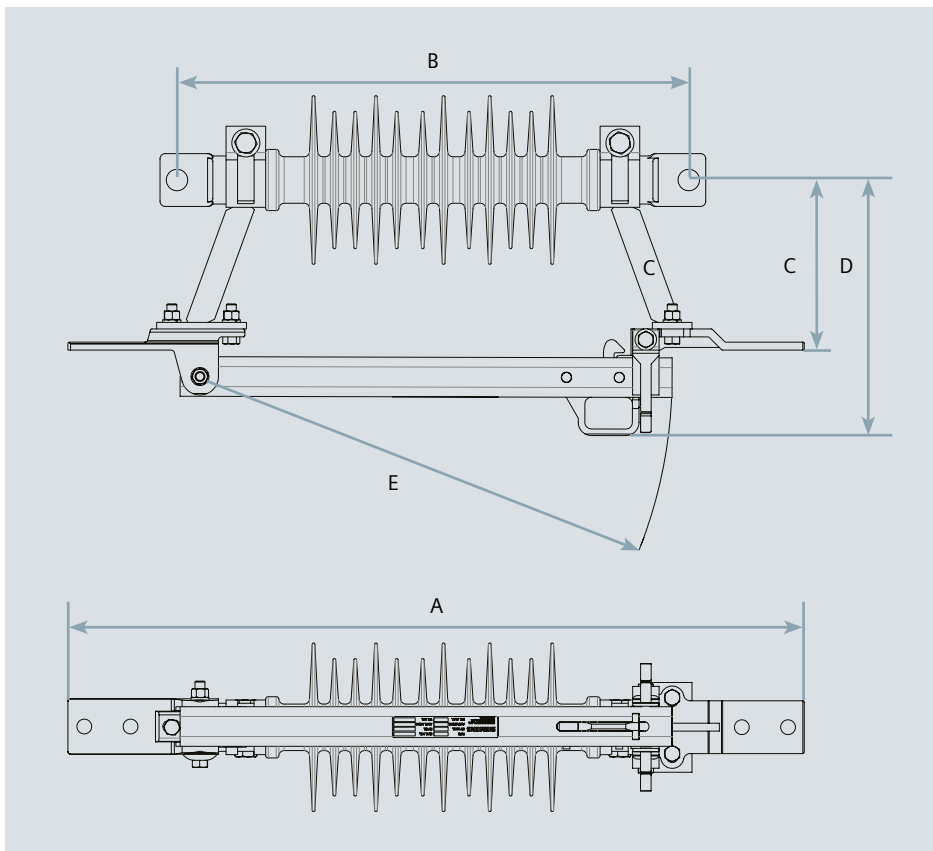


Figure 4: Bridges Electric polymer line tension disconnect model catalog number 327P

For more information, please contact your local Siemens representative.

Published by and copyright © 2011:
Siemens AG
Energy Sector
Freyeslebenstrasse 1
91058 Erlangen, Germany

Siemens Energy, Inc.
99 Bolton Sullivan Drive
Heber Springs, Arkansas 72543 USA

For more information, contact
Phone: +1 (501) 362-8296
Toll-free: +1 (800) 347-6659
www.usa.siemens.com/energy

Siemens Energy, Inc.
Order No. E50001-F710-A392-X-4A00
Printed in USA
BU 2049T IN 0311.5

All rights reserved.
Trademarks mentioned in this document are the property of Siemens AG, its affiliates, or their respective owners.

Subject to change without prior notice.
The information in this document contains general descriptions of the technical options available, which may not apply in all cases. The required technical options should therefore be specified in the contract.